



**ROCKY MOUNTAIN  
ELEVATOR PRODUCTS**  
LIVE LIFE ELEVATED

---

# **RMEP RESIDENTIAL SPACEGUARD**

## **INSTALLATION**



## Contents

INTRODUCTION.....	1
OPERATION.....	1
TOOLS.....	1
PARTS IDENTIFICATION.....	2
INSTALLATION.....	2

## INTRODUCTION

Space Guards (often called a door baffle) are just one of many supplemental safety devices we manufacture for our industry. They adjust in width making them a perfect stock product for differing door widths and can be extended from the door to cover spaces in excess of 3". No need to measure and order and come back to install them.

## OPERATION

Adjustable from 28" to 36" horizontally, Paint or Stain to match home finishes.

## TOOLS

- Screwdriver set
- Tape measure
- Pencil
- Drill
- Drill bits (pre-drill holes)

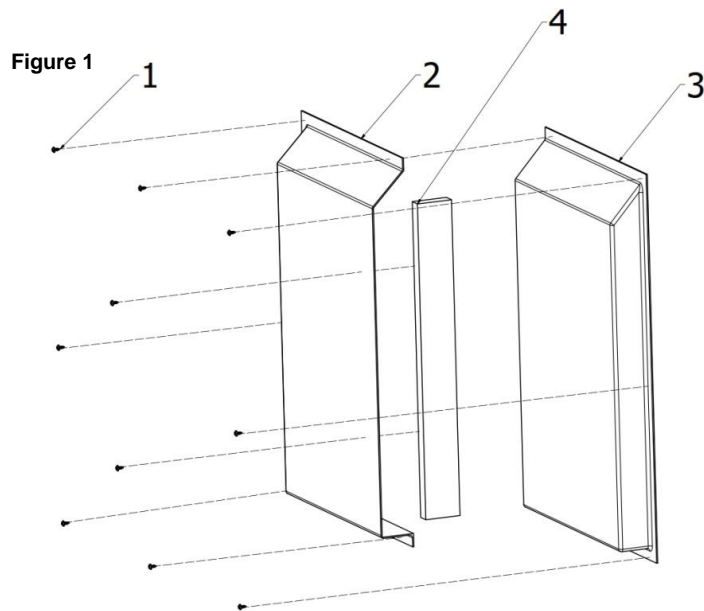
## **WARNING!**

This installation requires that the hoist way door is open. Take care that the car is at the level you are working at or that the open door is always monitored and never left unattended.

## PARTS IDENTIFICATION

1. **Phillips Truss Head, Self Piercing, 8 X 9/16, SS, Qty 10**
2. Left Space Guard Panel
3. Right Space Guard Panel
4. Wood Spacer

*TO Order: use part number 260-80001  
(sold as complete kit)*



## INSTALLATION

1. Measure the width between the door stops in the door jamb.
2. Place the panels face down on a smooth work surface.
3. Set the width of the panels @  $\frac{1}{2}$ " narrower than the width between the door stops. This will give you  $\frac{1}{4}$ " clearance on each side.
4. Ensure the width is the same top to bottom, then drive a self piercing screw through the center of the top and bottom flanges in the centerline of the assembly.
5. At approximately 9" and 12" from the bottom edge, drive two (2) self piercing screws through both covers in the centerline. Back the screws out again.
6. Flip the space guard over and place the wood spacer under the centerline. Drive the self piercing screws into the wood spacer.
7. Attach the SpaceGuard to the door with the self piercing screws, with lower edge about  $\frac{1}{4}$ " up from the bottom of the door. Using self piercing screws at all four corners of the flange and in the center of the flange

Figure 2

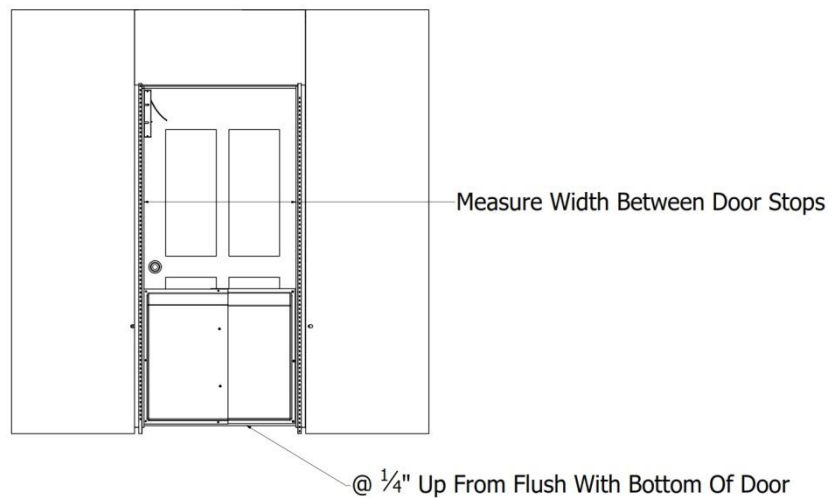
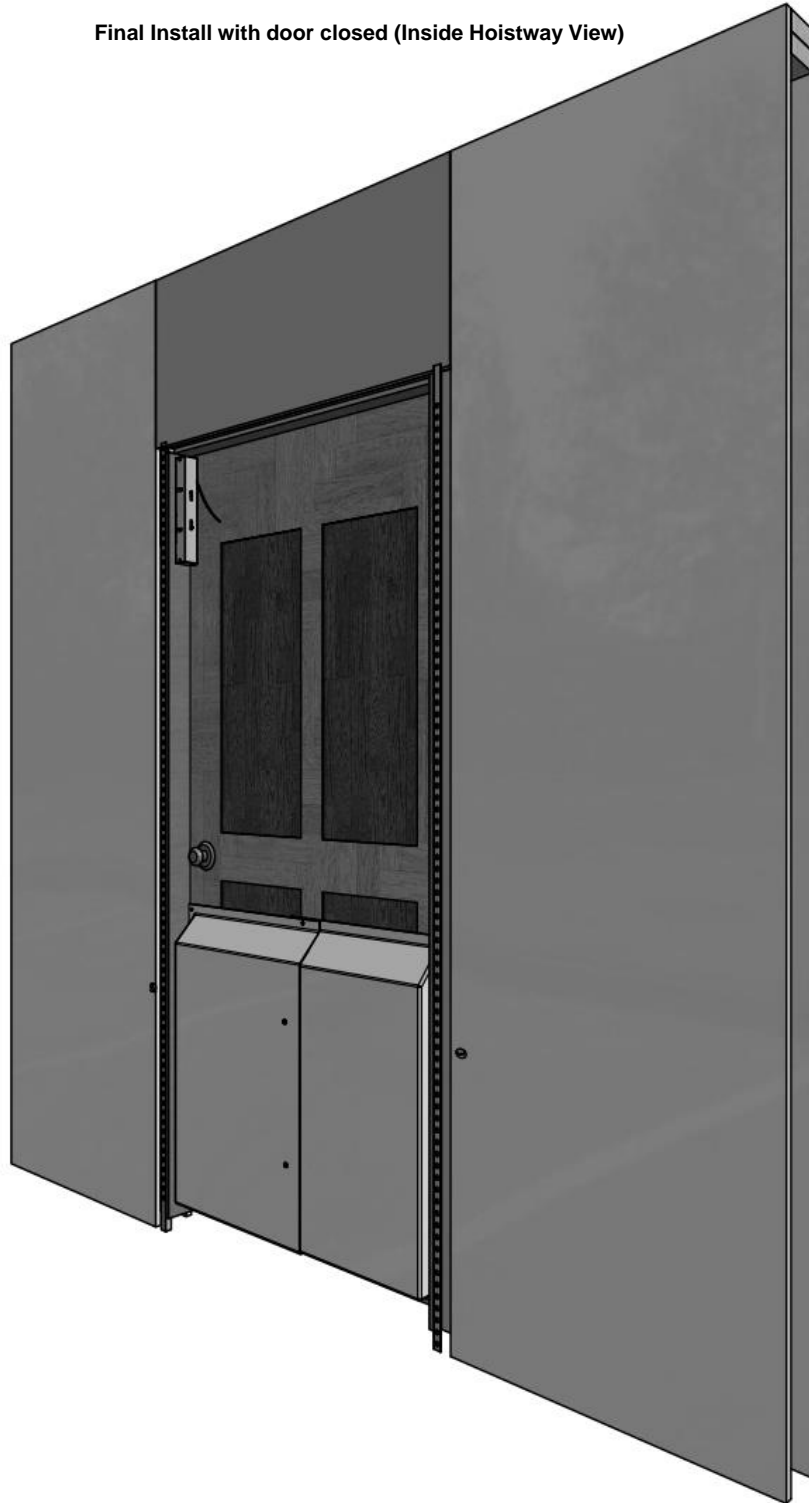


Figure 3

Final Install with door closed (Inside Hoistway View)



*For assistance, please contact Rocky Mountain Elevator Products at:  
1-970-242-2544 during normal business hours. (8am-5pm MST)*